

## SINGLE WINDOW SIGHT GLASS SW 12

### DESCRIPTION

For monitoring the right operation of a steam trap to avoid leakage of live steam and consequently big energy losses, a sight glass is recommended to be installed downstream of the steam trap. Single window SW sight glass, has been designed for this particular application.

Connections are female screwed.

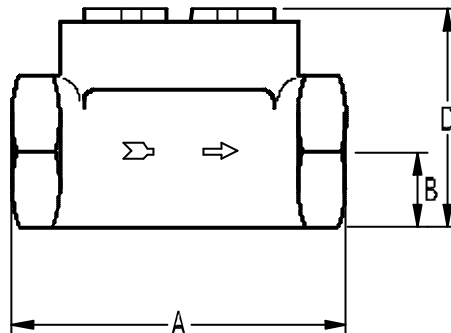
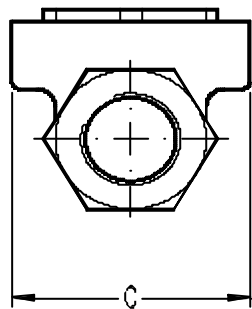
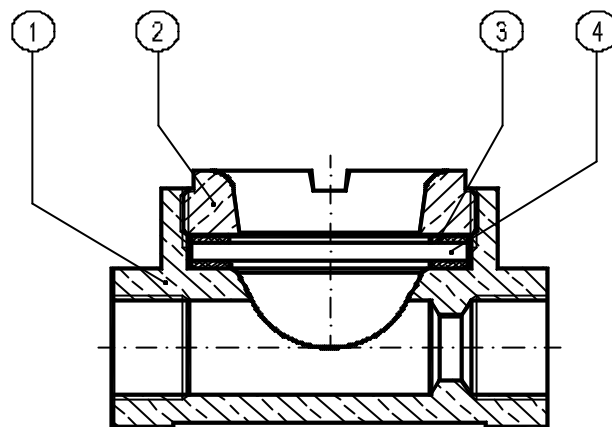
USE: Condensate pipes downstream steam traps.

AVAILABLE MODELS: SW 12 - 5 mm thick glass

SIZES: 1/2", 3/4" and DN 1"

CONNECTIONS: Female screwed ISO 7/1Rp(BS21).

INSTALLATION: Horizontal or vertical installation .  
See IMI, installation and maintenance instructions.



PMO:Max.operating pressure 12 bar

TMO:Max.operating temperature 150 °C

How to order: i.e. SW 12 DN 1/2" BSP

### MATERIALS

POS. NR	DESIGNATION	MATERIAL
1	BODY	BRASS
2	GLASS NUT	BRASS
3 *	GASKET	NON ASBESTOS
4 *	WINDOW	BOROSILICATE GLASS

\* AVAILABLE SPARE PARTS

DIMENSIONS (mm)					
SIZE	A	B	C	D	WEIGHT
DN	Kg				
1/2"	80	16	62	52	0,6
3/4"	88	19	62	57	0,9
1"	88	23	62	60	0,85