

## VACUUM BREAKER VB 21

**DESCRIPTION**

The VB21 vacuum breakers are simple and reliable devices that automatically relieve or “break” an unwanted vacuum condition, restoring the atmospheric pressure.

This device is particularly suitable for steam heated units of small and medium volume as heat exchangers, heating coils, calorifiers, jacketed kettles, steam boilers, etc.

Connections are female screwed.

**USE:** Saturated and superheated steam

**AVAILABLE MODELS:** VB21; VB21M

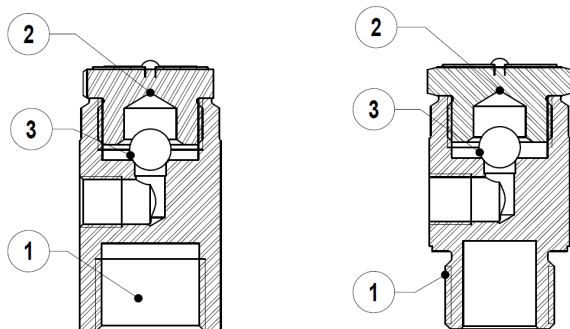
**SIZES:** ½” x 1/8”

**CONNECTIONS:** Inlet ½” vertical  
Outlet 1/8” horizontal  
VB21-Female screwed ISO 7-1 Rp (BS21)  
VB21M-Male screwed ISO 7-1 R (BS21)

**INSTALLATION:** Vertical installation angled connection.  
See IMI, installation and maintenance instructions.

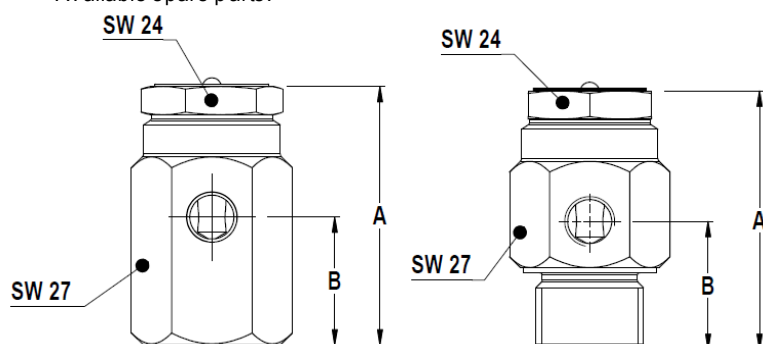
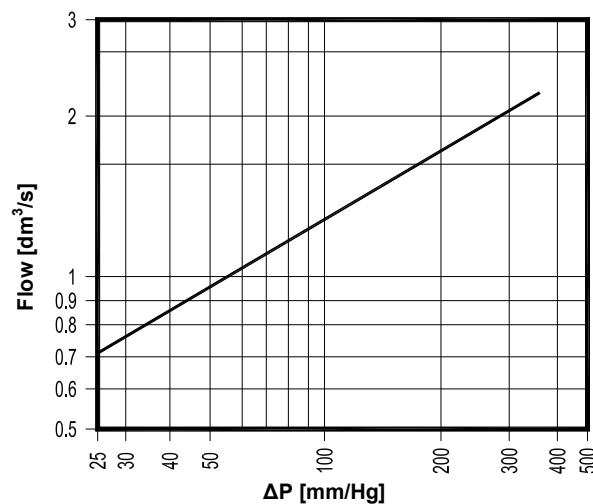
**LIMITING CONDITIONS:** 13 bar at 400 °C  
21 bar at 220 °C


**VB21**

**VB21M**


MATERIALS		
POS.Nr.	DESIGNATION	MATERIAL
1	Body	AISI303 / 1.4305
2	Cover	AISI303 / 1.4305
3	* Ball valve	Stainless steel

\* Available spare parts.


**CAPACITY CHART**


ΔP required to open vacuum breaker: 4,6mm/Hg.

DIMENSIONS (mm)			
MODEL	A	B	WGT. Kgs
VB21	50	25	0,17
VB21M	50	25	0,13