

## NEEDLE VALVES NV-400

### DESCRIPTION

NV-400 high pressure needle stop valves .

### MAIN FEATURES

Rising stem  
PTFE renewable disk  
High quality PTFE packing

### OPTIONS

Other sizes and materials available under request.

USE: Saturated steam , water ,compressed air and other fluids compatible with the construction.

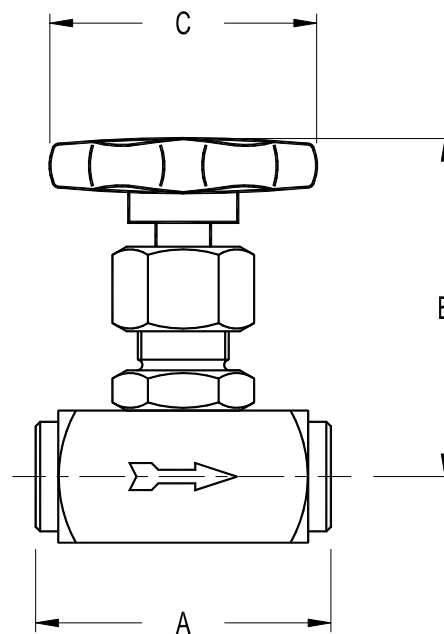
AVAILABLE MODELS: NV-400

SIZES : DN 1/4"

CONNECTIONS : Female screwed ISO7/1Rp(BS21)

### LIMITING CONDITIONS :

Working pressure:250 bar at 250°C  
400 bar at 120°C



DIMENSIONS - VALVE BODY				
DN	A (mm)	B (mm)	C (mm)	Weight(Kgs)
1/4"	65	75	63	0,45

MATERIALS		
POS.	DESIGNATION	MATERIAL
1	Valve Body	St-Steel (1.4571)
2	Bonnet	St-Steel (1.4571)
3	Stem	St-Steel (1.4571)
4	Disk nut	St-Steel (1.4571)
5	Packing	PTFE
6	Packing	PTFE
7	Handwheel	Plastic