

BIMETALLIC STEAM TRAPS AND AIR ELIMINATORS BM 20

DESCRIPTION

BM 20 series bimetallic steam traps and air eliminators are simple and robust traps, recommended for steam tracing applications and where condensate sensible heat can be recovered. Connections are female screwed or flanged.

MAIN FEATURES

Modulating discharge.
Discharges condensate below steam temperature.
Excellent air discharge.
Operates on superheated steam.
Unaffected by waterhammer and vibrations.
Built-in strainer.

OPTIONS: DIN or ANSI flanged connections.
USE: Saturated and superheated steam.

AVAILABLE

MODELS: BM 20

SIZES: DN 1/2" ,3/4" - DN 15 - DN 20.

CONNECTIONS: Female screwed ISO 7/1 Rp (BS21)
Flanged DIN or ANSI .

INSTALLATION: Horizontal or vertical installation.
See INI installation and maintenance instructions.

PMA:Max.allowable pressure 32 bar
TMA:Max.allowable temperature 300 °C
PMO:Max.operating pressure 17 bar
TMO:Max.operating temperature 250 °C

How to order: i.e. BM 20 DN 15 DIN .

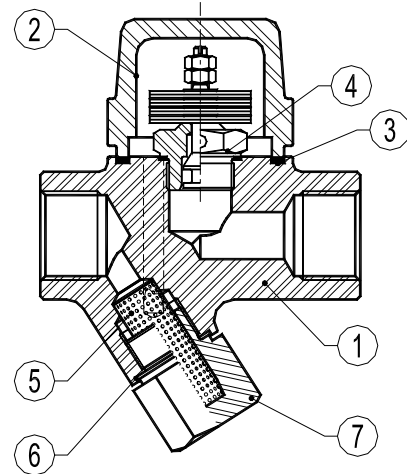
DIMENSIONS (mm)

SIZE	SCREWED ENDS				DIN FLANGES		
	A	B	C	D	WEIGHT	E	WEIGHT
DN	Kg						
1/2"	95	59	95	65	1.6	150	3.2
3/4"	95	59	95	65	1.6	150	3,3
1"	95	65	95	65	1.8	160	4.7

FLOW RATE CAPACITY IN Kg/h

MODEL	SIZE	DIFFERENTIAL PRESSURE (bar)									
		0.5	1	2	4	6	8	10	12	14	17
BM 20	1/2"-1" A	125	200	420	410	445	485	500	540	580	600
BM 20	1/2"-1" B	450	700	1000	1220	1340	1450	1560	1650	1780	1850

A = Condensate discharge at 10°C below saturation temperature. B = Cold water capacity at about 20°C .



MATERIALS:

POS.NR.	DESIGNATION	MATERIAL
1	BODY	C 22.8
2	COVER	C 22.8
3 *	GASKET	NON ASBESTOS
4 *	VALVE ASSY.	ST. STEEL
5 *	STRAINER SCREEN	AISI 304
6 *	GASKET	ST.ST./GRAPHITE
7	PLUG	C 22.8
8	BOLTS	STEEL 8.8

* AVAILABLE SPARE PARTS

