

## THERMODYNAMIC STEAM TRAPS DT 42 S

### DESCRIPTION

Thermodynamic DT42S disc steam traps are compact and lightweight-easy to install traps, excellent for high pressure systems, including steam tracing applications.

These traps have only one moving part and offer a wide operating range, without adjustment. Connections are female screwed or flanged.

### MAIN FEATURES

Intermittent discharge.

Operates on superheated steam.

The seat and the disc can be easily replaced in field without removing the trap from the line.

Unaffected by waterhammer and vibrations.

Built-in, easy-to-clean strainer.

OPTIONS: Insulating cap.  
Blow-off valve.

USE : Saturated and superheated steam.

AVAILABLE

MODELS : DT42 S

SIZES : 1/2", 3/4" and 1".

CONNECTIONS : Female screwed ISO 7/1 Rp (BS21)  
Flanged DIN. Special flanges upon request.

INSTALLATION : Horizontal instalation recommended.  
Can be installed in any position.  
See IMI installation and maintenance instructions.

APPLICATION Min.working pressure - 0,25 bar

LIMITS : Max.working back pressure - 80%

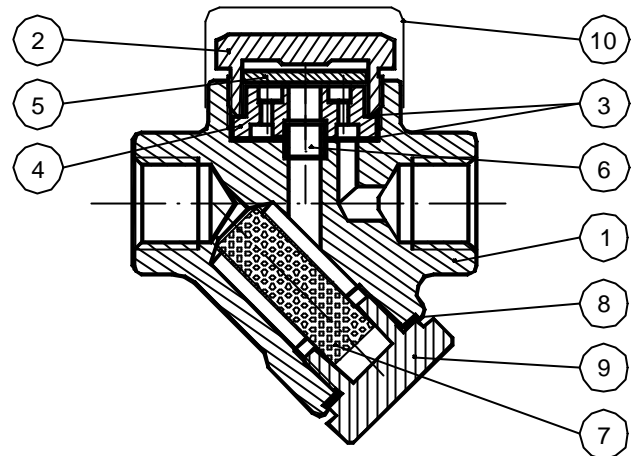
PMA: Max.allowable pressure 63 bar

TMA: Max.allowable temperature 400 °C

PMO: Max.operating pressure 42 bar

TMO: Max.operating temperature 400 °C

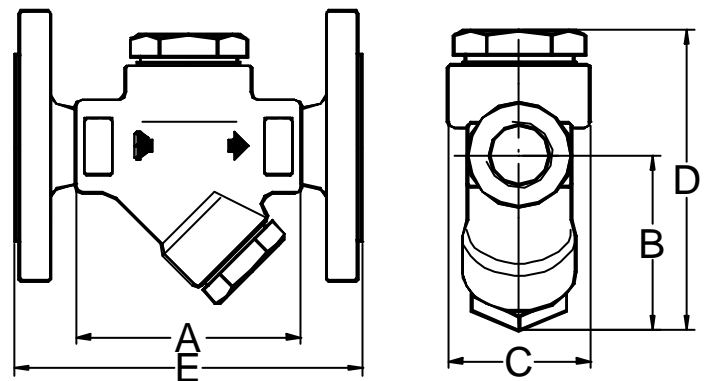
How to order : i.e. DT42 S DN 1/2" BSP



### MATERIALS:

POS.NR.	DESIGNATION	MATERIAL
1	BODY	C 22.8(Eq.A105)
2	COVER	STAINLESS STEEL
3 *	GASKET	PURE GRAPHITE
4 *	SEAT	AISI 431
5 *	DISC	AISI 431
6 *	TUBE	AISI 316
7 *	STRAINER SCREEN	AISI 304
8 *	GASKET	ST.STEEL/GRAPHITE
9	PLUG	C 22.8(Eq.A 105)
10 *	INSULATING CAP	STAINLESS STEEL

\* AVAILABLE SPARE PARTS



### DIMENSIONS (mm)

MODEL	SIZE	FLOW RATE CAPACITY IN Kg/h												DIMENSIONS (mm)													
		DIFFERENTIAL PRESSURE (bar)												SCREWED ENDS				DIN FLANGES									
		0.5	1	3	6	9	12	15	18	21	24	30	35	42	SIZE	A	B	C	D	WEIGHT	E	WEIGHT					
DT42 S	1/2"	200	210	350	480	580	660	740	800	850	910	1020	1100	1200	DN					Kg							
DT42 S	3/4"	310	320	520	720	860	980	1050	1175	1220	1350	1500	1600	1750	1/2"	80	56	46	96	1	150	2.5					
DT42 S	1"	470	485	800	1100	1310	1500	1750	1800	1950	2100	2300	2480	2720	3/4"	80	58	52	105	1,2	150	3.3					
															1"	100	65	62	115	1,8	160	4,4					

Recommended safety factor: continuous service = 1.2 - 1.5 ; discontinuous service = 2.