

PRESSURE GAUGE MAN-100

DESCRIPTION

MAN-100 pressure gauges has 100 mm diameter and are marked in bar.

MAIN FEATURES

Accuracy – Class 1
Case - Stainless steel
Lens-Glass
Dial-Aluminium white
Pointer-Aluminium black
Measuring system: copper alloy

AVAILABLE

MODELS: MAN-100

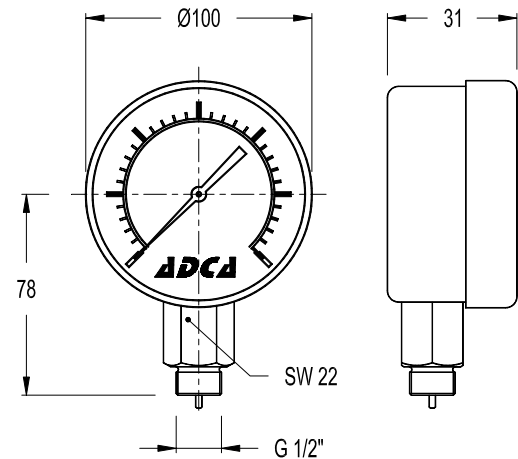
CONNECTIONS : DN ½" Bottom, back eccentric

MEASURING RANGE: -1...40 bar

LIMITING CONDITIONS :

PMA Max.allowable pressure : Full scale reading

PMO Ma.operating temperature : 80°C



GAUGE COCK GC-400

DESCRIPTION

GC-400 pressure gauges cocks without test connection DIN 16270 Form A

16270 Form A

MAIN FEATURES

Body-Steel C22.8 or stainless steel
Spindle-Stainless steel
Packing-PTFE

Handwheel-Plastic

AVAILABLE

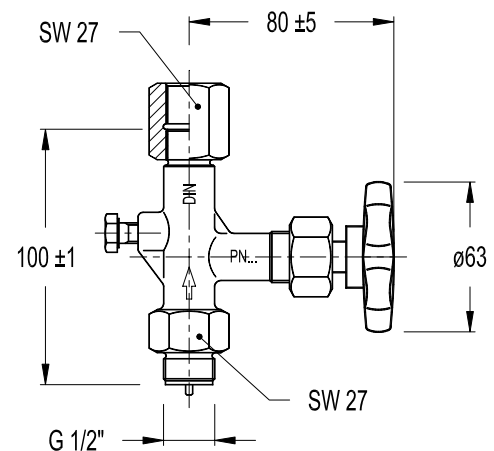
MODELS: GC-400

CONNECTIONS : DN ½" (male x female)

LIMITING CONDITIONS :

Working pressure:250 bar at 250°C

400 bar at 120°C



GAUGE SIPHONS GSC-40

DESCRIPTION

Gauge coil for pressure gauge.

MAIN FEATURES

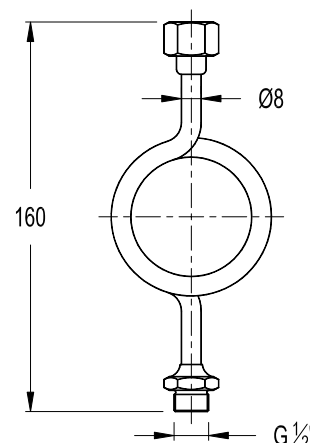
Complete stainless steel

AVAILABLE

MODELS: GSC-40

CONNECTIONS : DN ½" (male x female)

PMA Max. allowable pressure :40 bar



We reserve the right to change the design and material of this product without notice.